

EG EAGLE



Symbolize your Place with unique RGB lighting effect

- Beautiful white and RGB colored landscape lighting
- Producing excellent surroundings
- Effective investment- Landscape, Security, Marketing

Application

Parks, Theme Parks, Hotels, Resorts, Department Stores, Parking Lots, Villas, Buildings, Garden Cities, Franchises



IP 65

* Separate Driver & Terminal

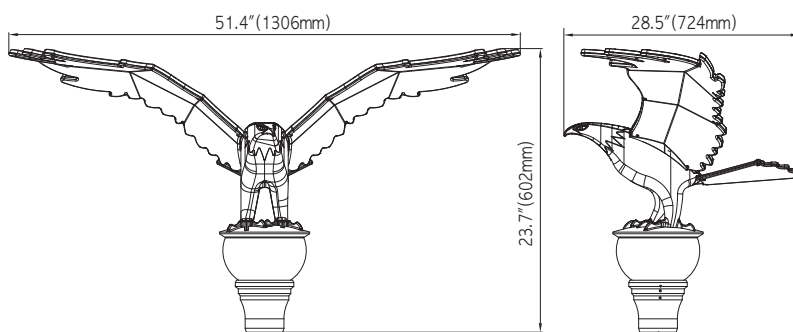
Specifications

* Tolerance : ± 5%

Model	Power	* Luminous Efficacy	* Luminous Flux	Color Temperature	CRI	Weight	Input Voltage	Operation Temperature
EG150	150W White-110W RGB-40W	75 lm/W (White)	8,250 lm (White)	5000K	80 Ra	17 kg 37.5 lb	AC100~277V	-30°C~60°C -22°F~140°F

Body	Cast Aluminum	Mounting Option	Post Top
Cover	Polycarbonate (Clear)	Mount Hole	Ø3.5 in. (Ø89.1mm)
Finish	Powder Coating	Light Distribution	Type IV-S

Dimensions



Photometry

